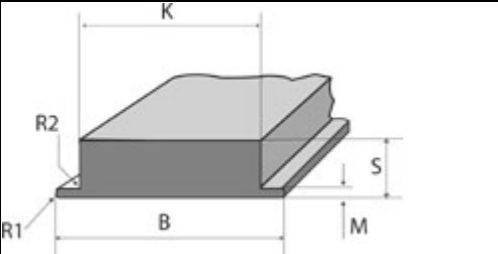
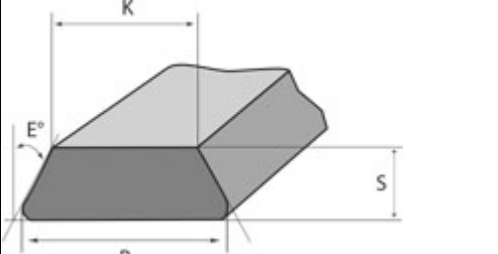
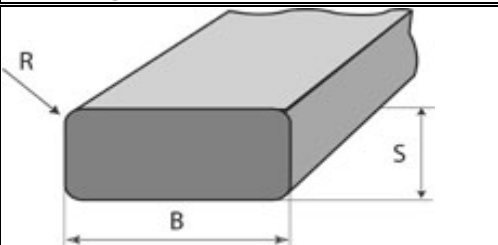
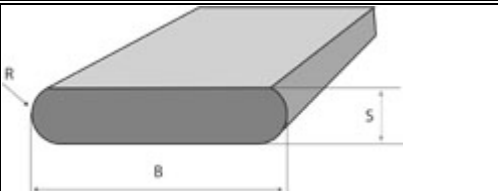


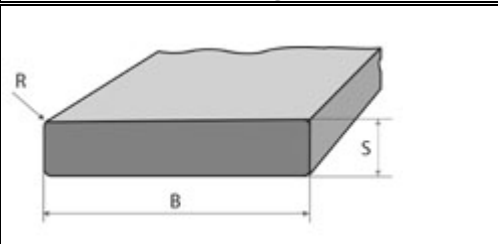


T-Strip	Parameters	Dimension	Tolerance
	Thickness(S) (M) Length* (L) Width (B) (K) Radius (R1) (R2)	5-12 mm 1.5-4 mm 1500/2000 mm 10-25 mm K=(B-6) mm M/2 0.75	± 5% ± 10 mm ± 0.2 mm ± 0.2 mm ± 0.75 R

Trapezoidal Strip	Parameters	Dimension	Tolerance
	Thickness(S) Length* (L) Angle (E) Width (B) (K) Radius (R)	3-12 mm 1500/2000mm 30° 12-25 mm K=(B-6) mm 0.5-1R	± 5% ± 10 mm + 1.5° ±0.2mm ±0.2mm ± 0.75 R

Rectangular Strip	Parameters	Dimension	Tolerance
	Thickness(S) Length* (L) Width (B) Radius (R)	3-15 mm (L) 1500/2000 mm (B) 4-90 mm (R) 0.5R	± 5% ± 10 mm ± 0.2 mm ± 0.75 R

Edge Rounded Strip	Parameters	Dimension	Tolerance
	Thickness(S) Length* (L) Width (B) Radius (R)	1.5-3 mm (L) 1500/2000 mm (B) 15-90 mm (R) S/2R	± 5% ± 10 mm ± 0.2 mm ± 0.75 R

Calibrated Rectangular Strip	Parameters	Dimension	Tolerance
	Thickness(S) Length* (L) Width (B) Radius (R)	1.5-6 mm 1500/2000 mm >15 mm 0.5R-1.5R	± 0.075 mm (Single Strip) ± 0.05 mm Statistical (100 Strips) ± 10 mm ± 0.2 mm 0.75 R

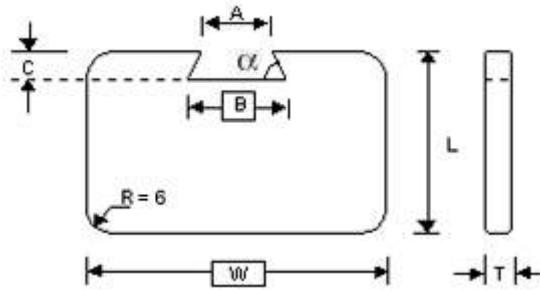
\*Can be supplied in larger length on request.



**RAMAN**

**Milled Spacers**

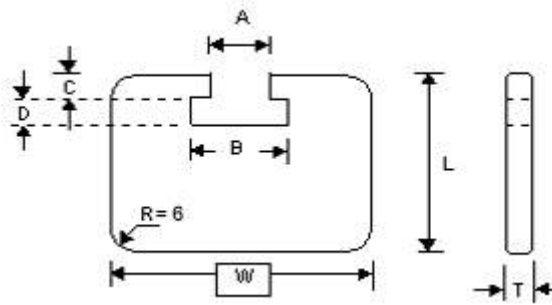
**Trapezoidal Spacers**



**Dimensions as per Customer Specifications.**

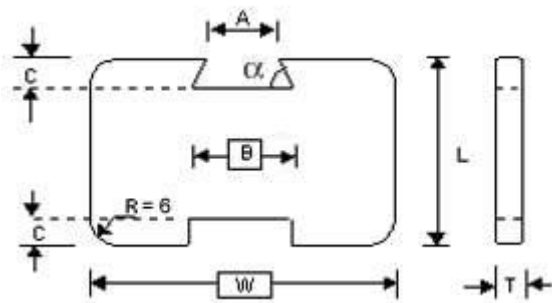
	Thickness (mm)
Press Boards	1.50 – 6.0
Laminated Boards	7 – 25

**T - Spacers**



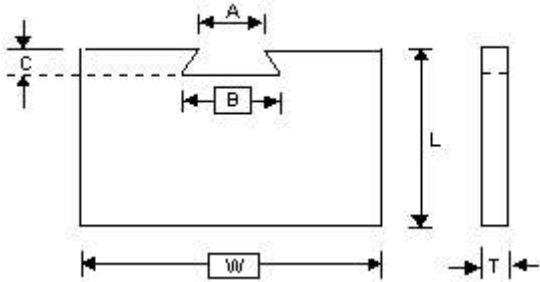
Parameter	Tolerance
Length L	$\pm 0.5$ mm
Thickness T	$\pm 5$ %
Width A & B	$\pm 0.20$ mm
Width W	$\pm 0.20$ mm
Depth C & D	$\pm 0.2$ mm
Radius R	$\pm 1$ mm*
Angle	$\pm 1.5$ Deg

**Double Slot Spacers**

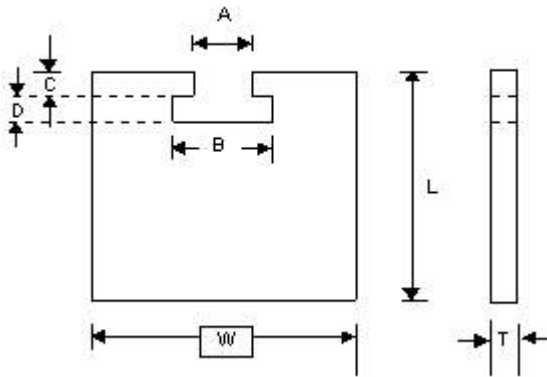


## Dimension of Punched Spacer

### Trapezoidal Spacers



### T-Spacers



Description & Code	T- Spacer Single Slot TSSS-1	T- Spacer Single Slot TSSS-2	T- Spacer Single Slot TSSS-3	T- Spacer Single Slot TSSS-4	T- Spacer Double Slot TSDS-1	Dove Tail Single Slot DTSS-1	Dove Tail Single Slot DTSS-2	Dove Tail Single Slot DTSS-3	Rectangular Single Slot Code: RSS-1
T mm	1 - 3	1 - 3	1 - 3	1 - 3	1 - 3	1 - 3	1 - 3	1 - 3	1 - 3
L mm	30 - 150	30 - 150	30 - 150	30 - 150	30 - 150	30 - 150	30 - 150	30 - 150	30 - 150
W mm	30 - 65	30 - 65	30 - 65	30 - 65	30 - 65	30 - 65	30 - 65	30 - 65	30 - 65
A	12	12	10	12	12	12	12.5	18	12.5
B	20	18	20	18	18	18	18	2	18
C	4	3	3	3	3	6	4.2	6	4.2
D	3.4	3	3	3.5	3.5	---	---	---	---
E	---	---	---	---	20	---	---	---	---
F	---	---	---	---	5	---	---	---	---



### Punched Spacers Tolerances

<b>Parameters</b>	<b>T- Spacer Single &amp; Double Slot</b>	<b>Dove Tail Single Slot Rectangular Single Slot</b>
Length L	$\pm 1$ mm	$\pm 1$ mm
Thickness S	$\pm 10\%$	$\pm 10\%$
Width B	$\pm 1$ mm	$\pm 1$ mm
A, B, C & D	$\pm 1$ mm	$\pm 1$ mm
C & D Depth	---	$\pm 0.5$ mm